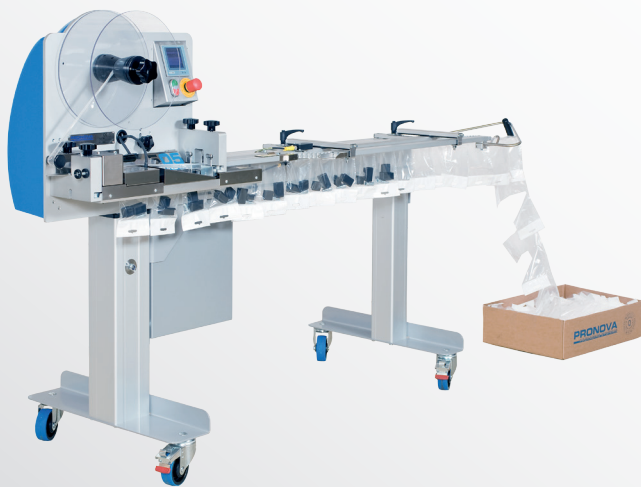


PRONOVA 505



The Pronova 505 bagging machine is the smallest model in our range of standard machines. With a simpler design and fewer components than the other machines in the 500 series, it is particularly well suited for smaller growing productions that have packed manually into single bags and need to develop the packaging process to become a little more automated and much more efficient.

The 505 opens up several bags at a time and then seals the bags automatically after filling. By loosening two knobs you can instantly and very easily change the bag opening and adjust it to fit the product's size and shape - from a very narrow and thin up to a wide rectangular opening.

Filling options

For manual filling, we have the 505 with work table with boxes for unloading.

For a more automated filling, the 505 can be integrated with filling stations like weighers and counters or existing production units.

PLC system

The machine is equipped with a PLC system. The operator panel gives all necessary machine information and its touch button display with universal symbols is highly operator-friendly.

Flexibility

- **Versatile design:** easily adjusted to products and requirements.
- **Bag width:** 50 - 400 mm.
- **Bag features:** reclosability, perforation, hanger holes, reinforced headers etc.
- **Bag materials:** PE, PP, laminates.

Standard features

- Preset counter for automatic stop after preset number of bags.
- Automatic intermittent bag feeding with adjustable stop position.

Options

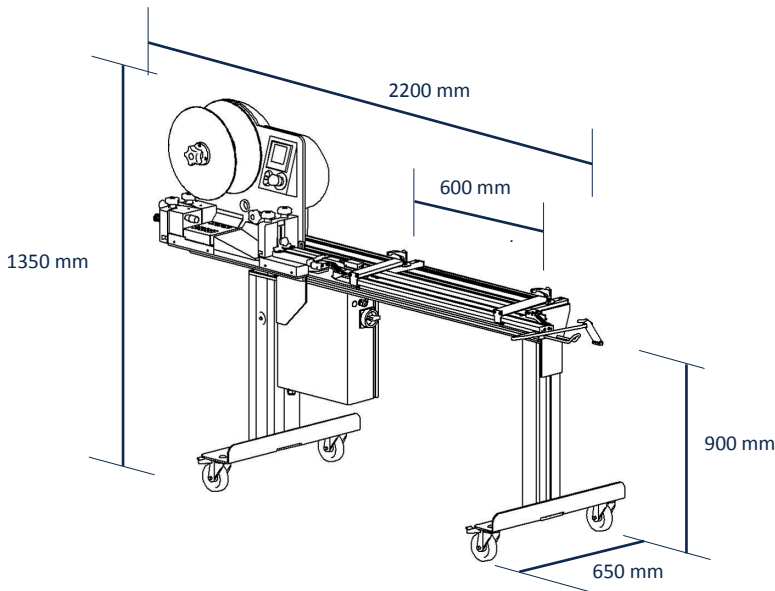
- Foot pedal for start/stop
- Work table
- Imprinters
- Labellers



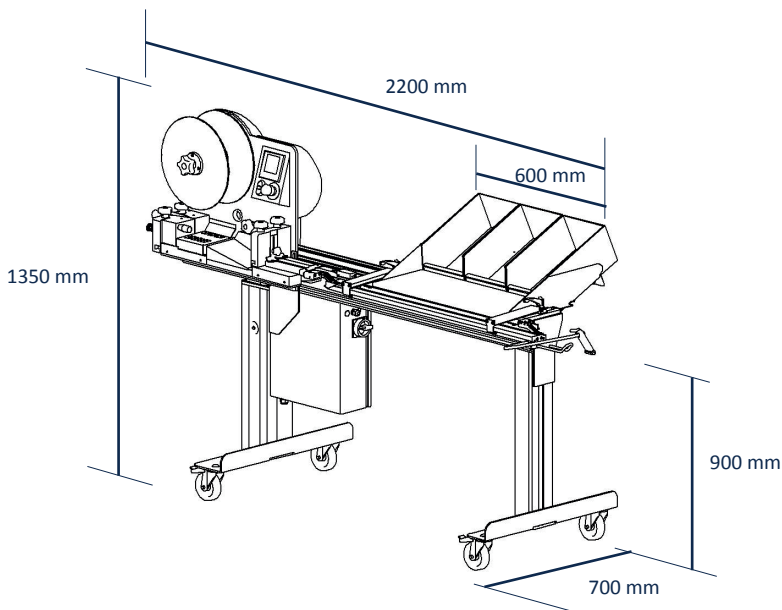
Technical specifications

Bags can hang free, without support, up to a weight of 300-400 grams per 100 mm bag width. For heavier products, we recommend our larger machine model: Pronova 510 or Pronova 525 complemented with the a supporting conveyor belt.

505 standard



505 with work table



Technical specifications Pronova 505

Machine weight:	105 kg
Standard sealing speed:	5 m/min
Power:	1,2 kW
Electrical supply:	230 V 1-phase
Compressed air:	No need

Quality & Safety

The Pronova packaging system stands for quality, safety and accountability.

Every part of the business complies with the standards set by ISO 9001 from the time we begin the design and production of machines and packaging to delivery, service, education and support. Our plastic factory is certified in accordance with ISO 22000

All machines are CE marked.

The Pronova packaging machines are designed with few moving parts and with a simplicity that makes them easy to use and easy to maintain. The welding unit is easy to disassemble without the use of any tools.

Our distributors and licensees around the world all take responsibility for the supply of machinery and materials, and they are all well trained for installation, training and service of our machines.



For further information, don't hesitate to contact us:

Pronova AB
Olofsdalsvägen 26
302 41 Halmstad
Sweden

Tel: +46 (0)35 17 19 00
sales@pronovaab.se
www.pronovasweden.eu

